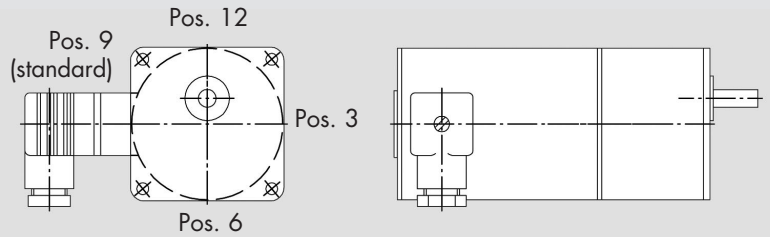


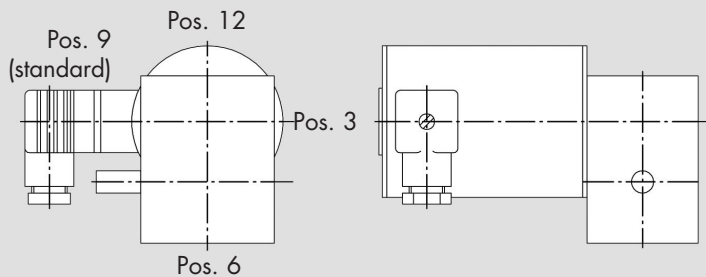
# Plug Positions

**Standard plug position (9 o'clock).**  
Intermediate positions possible, with the  
Exception of series G motors

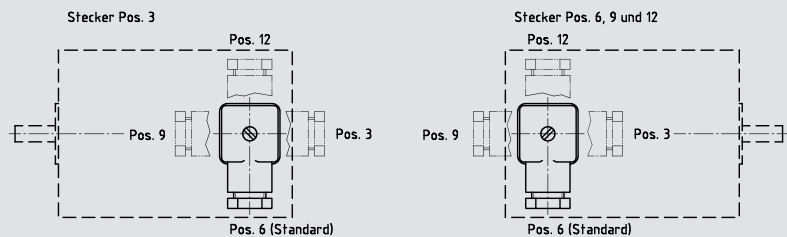
**Standard plug position left (9 o'clock).**  
for motors with gears  
series Z and M.



**Standard plug position left (9 o'clock)**  
for motors with worm gears series  
S 345, S 567, S 668 and S 769.



**Connector orientation  
view at the connector**



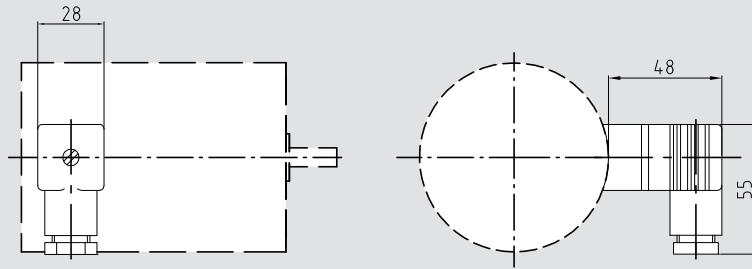
Bestellangabe z. B. Steckerposition 3 / Steckerausrichtung 6



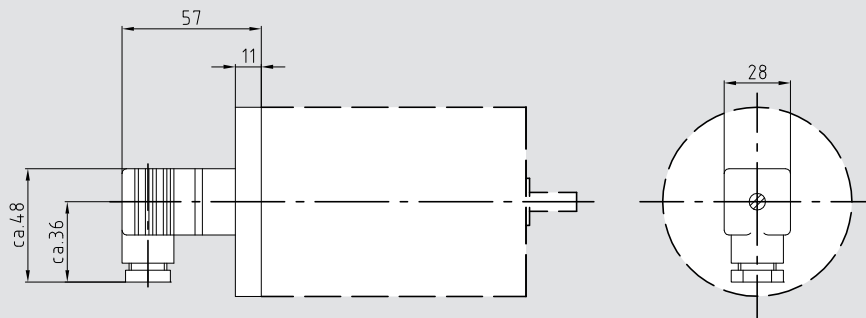
# Connector plugs



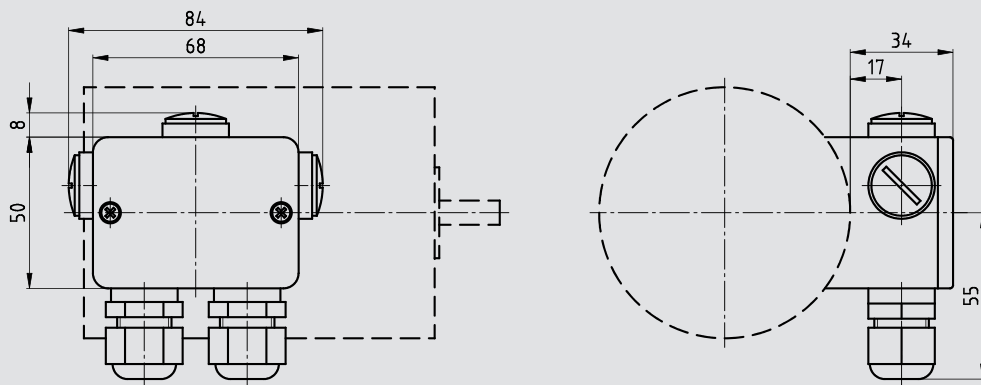
## K 2



## K 2 axial



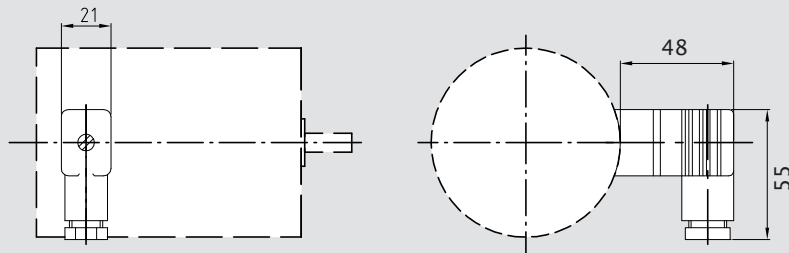
## K 4 M



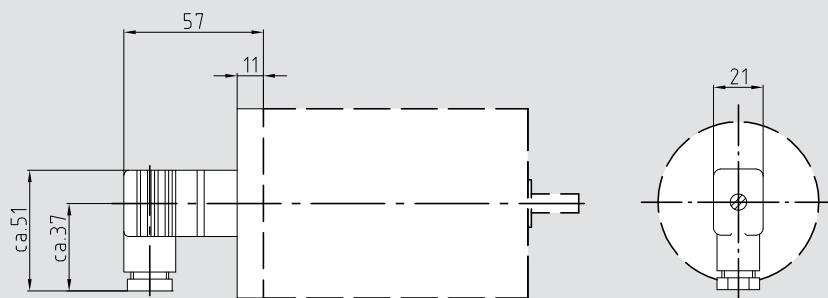
# Connector plugs



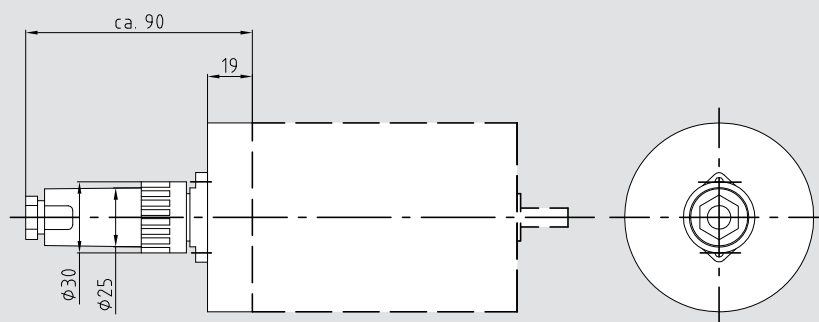
## K 5



## K 5 axial



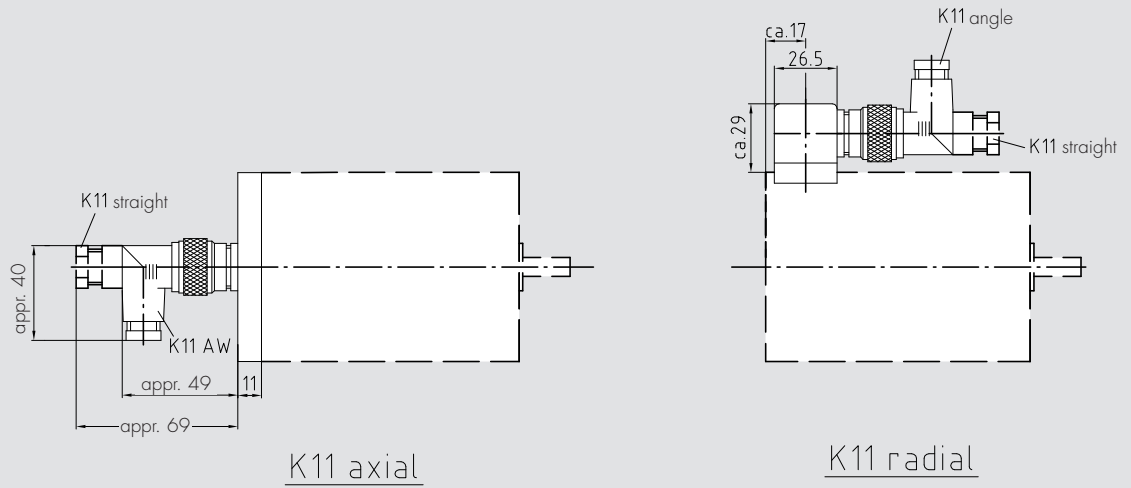
## K 9



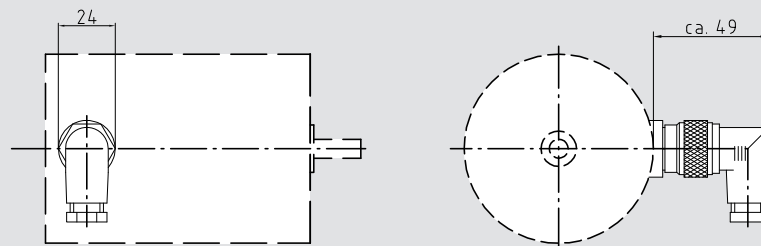
# Connector plugs



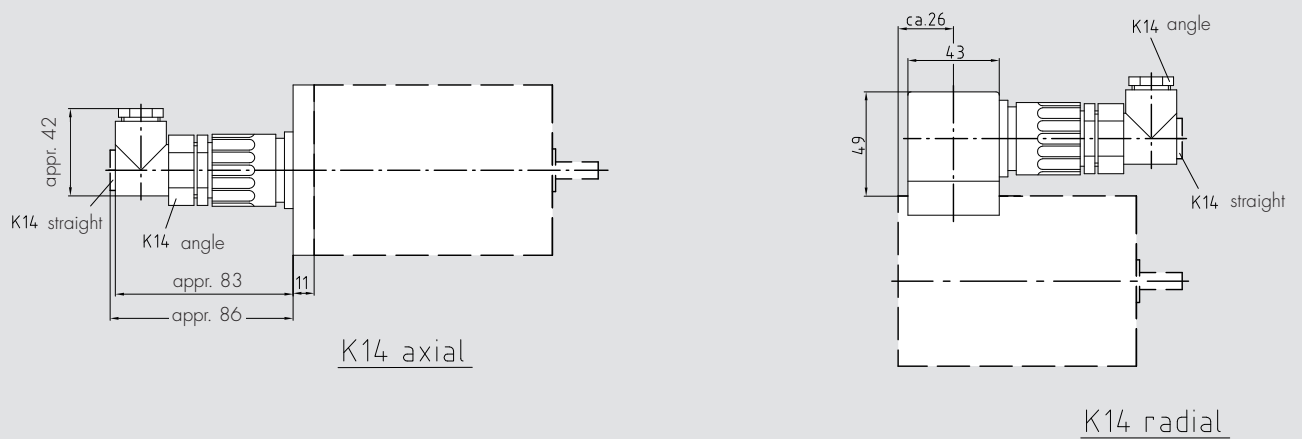
## K 11



## K 12



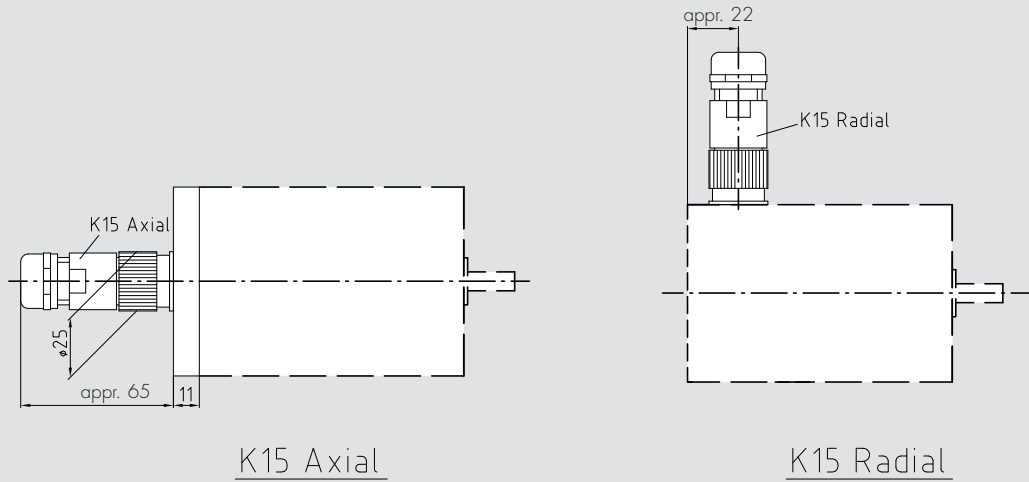
## K 14



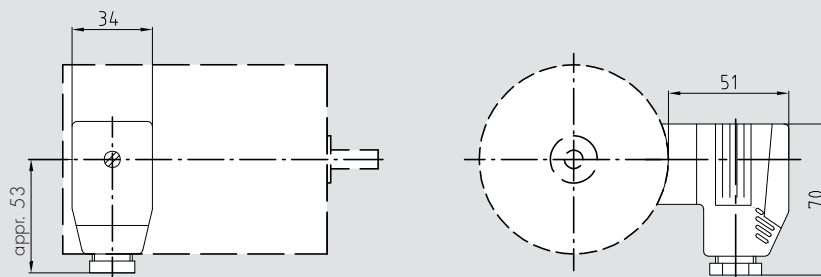
# Connector plugs



## K 15



## K 22



## K 22 axial

