

Three-phase asynchronous motor

Properties: Connection: 400 V / 50 Hz three-phase system
 Optional designs for other mains voltages / frequencies
 Optional design for a frequency converter with 3 x 230 V
 Standard connection using K22 type plug-in connectors

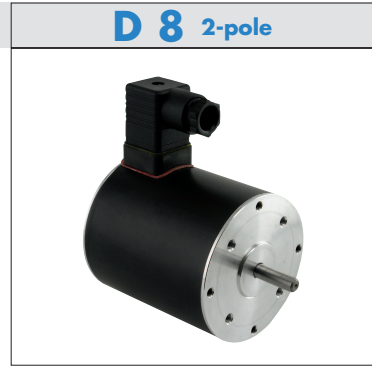
Service life: 20,000 hours, S1 duty

Insulation mat. class: B, optional F

System of protection: IP 44, optional up to IP 65

Special model: Design for short-time duty with high performance

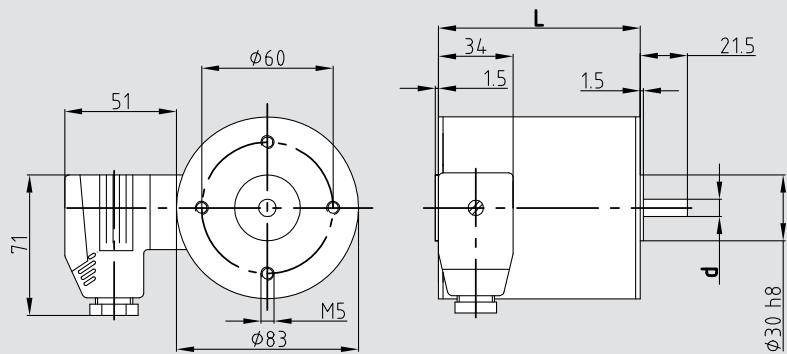
Options: Thermal protection, special shafts, special flanges, custom designed, stainless steel



Type	Name			D 842	D 862	D 882
	Nominal voltages	U	AC voltage	400	400	400
Specification	Nominal power	P ₂	W	57	76	101
	Nominal speed	N _{nom}	rpm	2700	2700	2700
	Nominal torque	T _{nom}	Ncm	20	27	36
	Starting torque	T _A	Ncm	56	70	104
	Nominal current	I _{nom}	mA	190	200	280
	No-load current	I ₀	mA	143	131	179
Characteristics	Locked rotor speed	n _{break}	rpm	-	-	-
	Locked rotor torque	T _{break}	Ncm	-	-	-
	Nominal efficiency	η		0.58	0.64	0.70
Connection	Terminal resistance	R	Ohm	219	219	128
	Input power	P ₁	W	95	105	131
Dynamics	Weight	m	kg	1.9	2.5	3.4
	Moment of inertia	J	gcm ²	750	1050	1400
Thermal	Adm. ambient temperature	T _a	°C	-20 to +40	-20 to +40	-20 to +40
	Max. adm. stator temperature	T _{max}	°C	+120	+120	+120
Coupling	Shaft diameter	d	mm	8	8	10
	Max. axial force	F _a	N	40	40	40
	Max. radial force	F _r	N	400	400	400

Dimensions

Type	L / mm	d / mm
D 842	92	8 f 6
D 862	112	8 f 6
D 882	132	10 f 6



System technology

Recommended combinations other gears and extensions upon request	Worm gear	S 668	S 769
	Spur gear	Z 8	M 7
	Planetary gear	PM 60	
	Rotary encoder	RV 30	RI 30
	Brake	B 3	

Three-phase asynchronous motor



Properties: Connection: 400 V / 50 Hz three-phase system
 Optional designs for other mains voltages / frequencies
 Optional design for a frequency converter with 3 x 230 V
 Standard connection using K22 type plug-in connectors

Service life: 20,000 hours, S1 duty

Insulation mat. class: B, optional F

System of protection: IP 44, optional up to IP 65

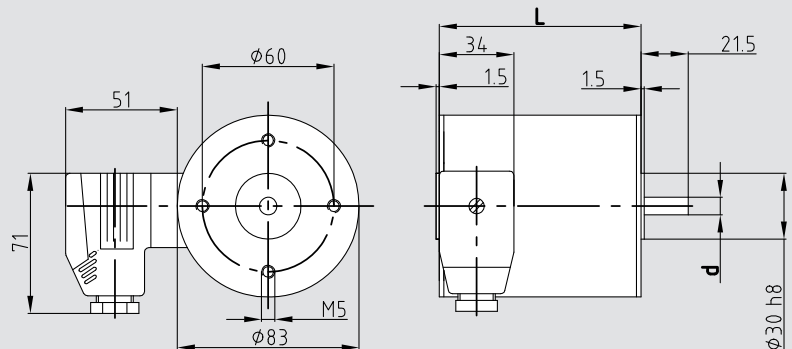
Special model: Design for short-time duty with high performance

Options: Thermal protection, special shafts, special flanges, custom designed, stainless steel

Type	Name			D 844	D 864	D 884
	Nominal voltages	U	AC voltage	400	400	400
Specification	Nominal power	P ₂	W	28.7	36.6	47.1
	Nominal speed	n _{nom}	rpm	1250	1250	1250
	Nominal torque	T _{nom}	Ncm	22	28	36
	Starting torque	T _A	Ncm	52	64	86.5
	Nominal current	I _{nenn}	mA	145	150	230
	No-load current	I ₀	mA	125	144	204
Characteristics	Locked rotor speed	n _{break}	rpm	-	-	-
	Locked rotor torque	T _{break}	Ncm	-	-	-
	Nominal efficiency	η		0.43	0.51	0.53
Connection	Terminal resistance	R	Ohm	528	439	257
	Input power	P ₁	W	62	60	93
Dynamics	Weight	m	kg	1.9	2.5	3.4
	Moment of inertia	J	gcm ²	750	1050	1400
Thermal	Adm. ambient temperature	T _a	°C	-20 to +40	-20 to +40	-20 to +40
	Max. adm. stator temperature	T _{max}	°C	+120	+120	+120
Coupling	Shaft diameter	d	mm	8	8	10
	Max. axial force	F _a	N	20	20	40
	Max. radial force	F _r	N	220	220	400

Dimensions

Type	L / mm	d / mm
D 844	92	8 f 6
D 864	112	8 f 6
D 884	132	10 f 6



System technology

Recommended combinations
 other gears and extensions upon request

Worm gear	S 668	S 769	
Spur gear	Z 8	M 7	M 10
Planetary gear	PM 60		
Rotary encoder	RV 30	RI 30	
Brake	B 3		